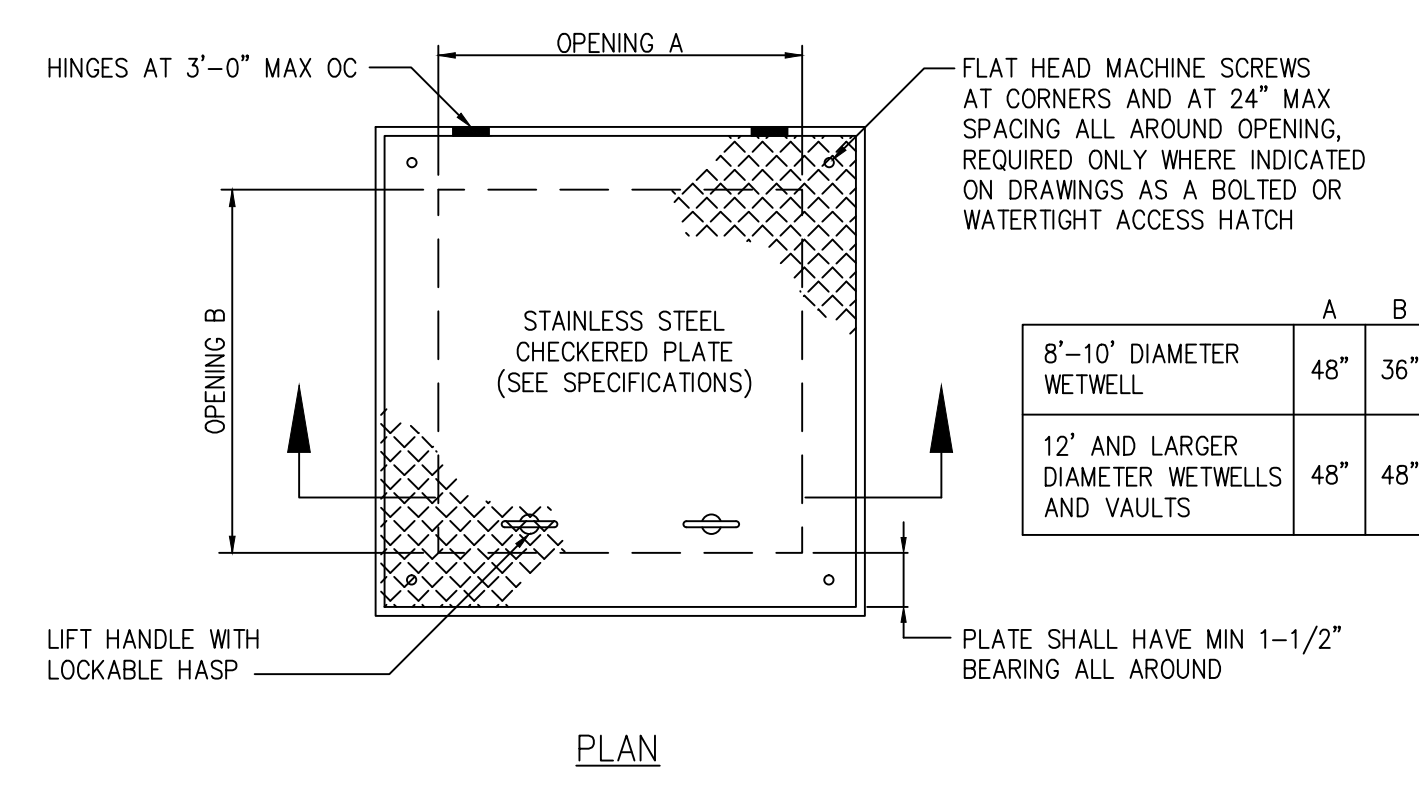


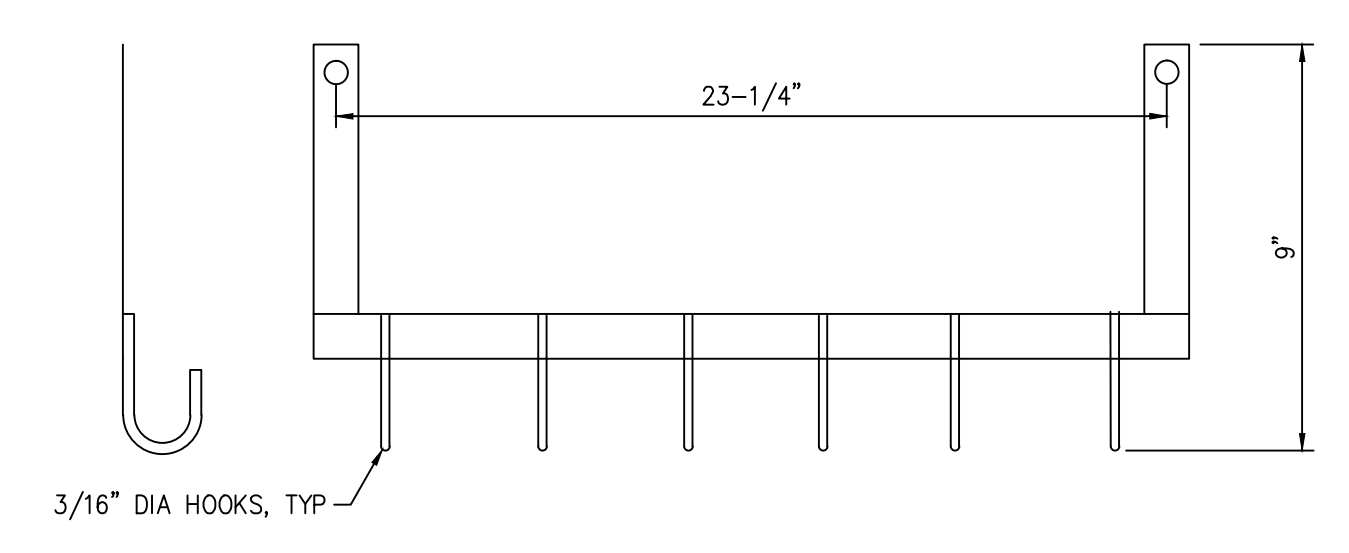
STANDARD

WATERTIGHT

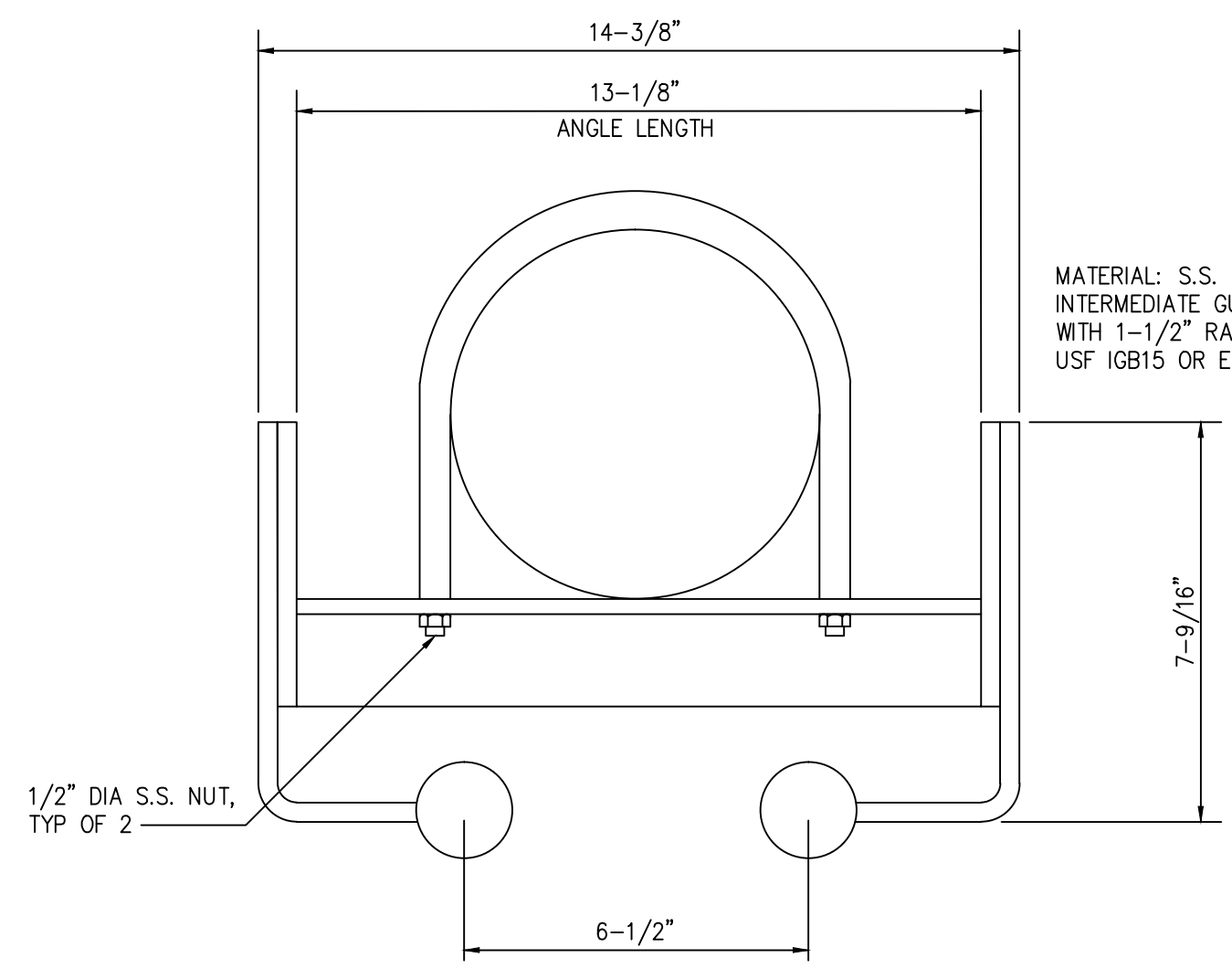


PLAN

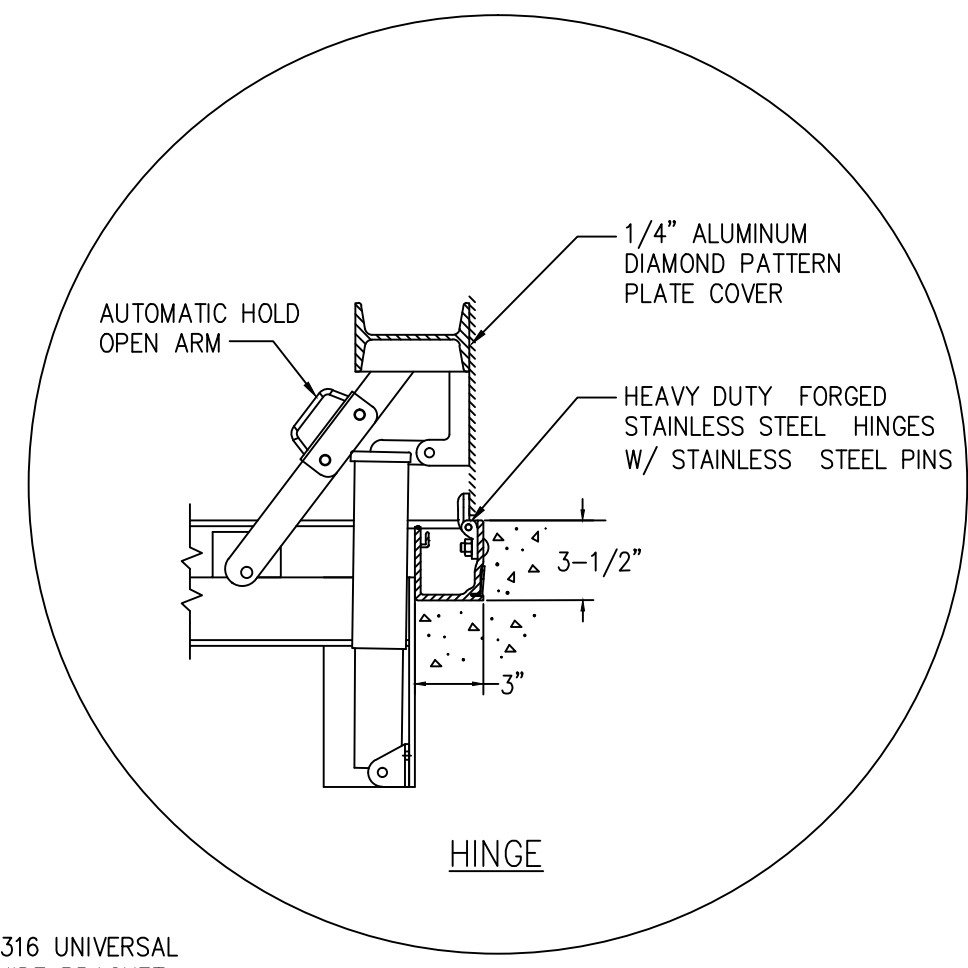
ACCESS HATCH
 DETAIL WS-17



CABLE HOLDER



BRACKET DETAIL

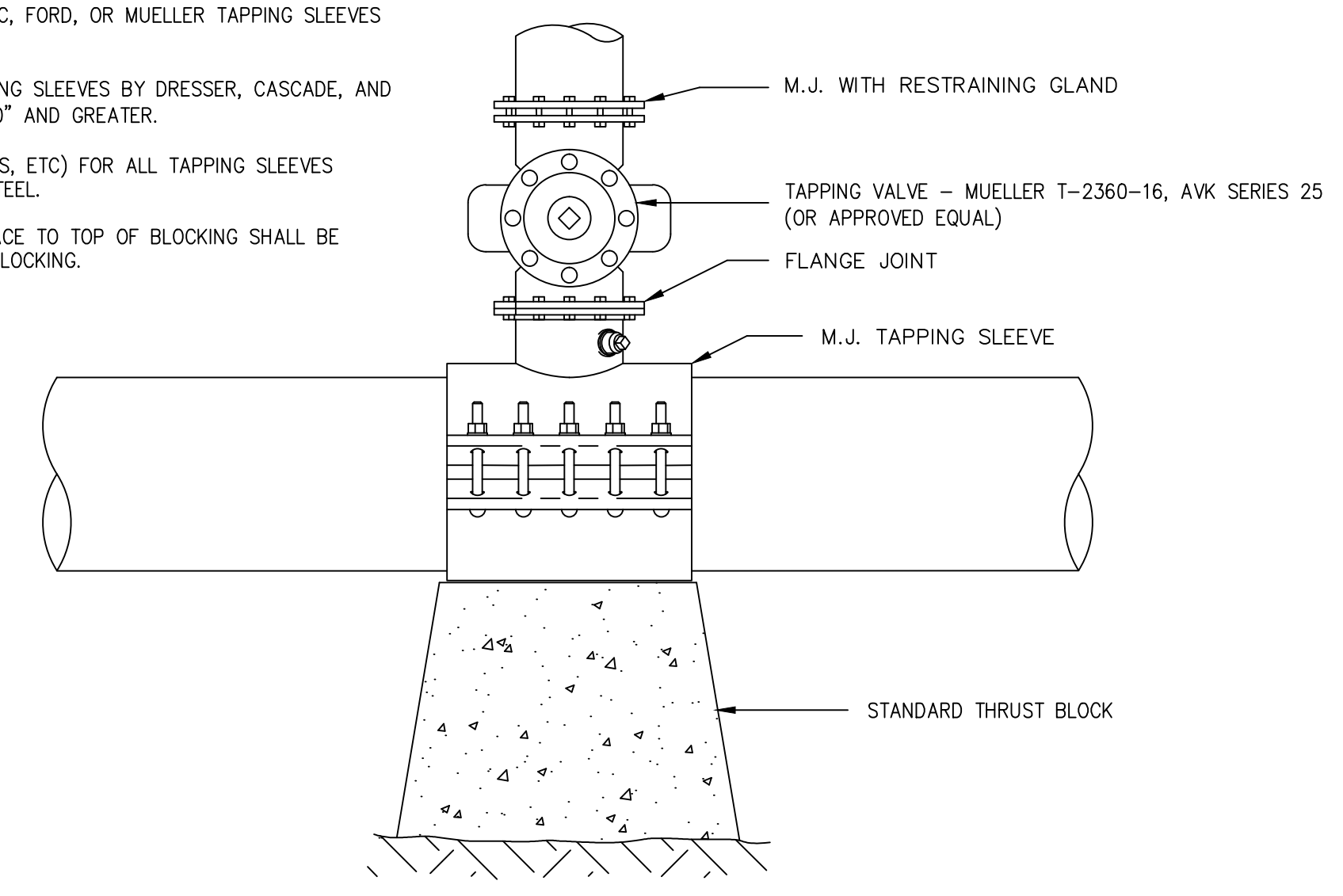


HINGE

MATERIAL: S.S. 316 UNIVERSAL INTERMEDIATE GUIDE BRACKET WITH 1-1/2" RAILS USF IGB15 OR EQUAL

NOTES:

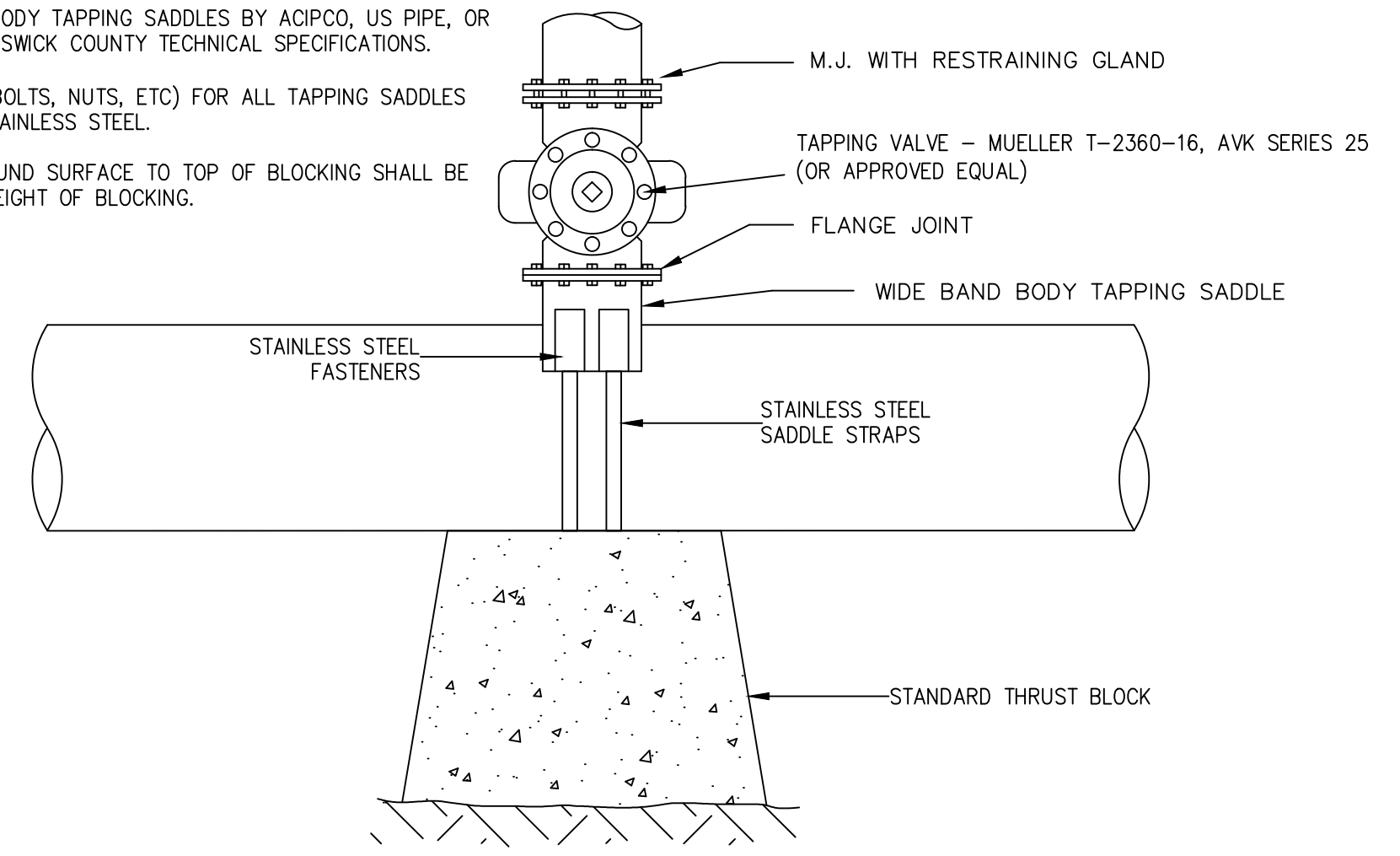
- TAPPING SADDLES ARE NOT ALLOWED WHEN CONNECTING MAIN DIAMETER IS 50% OR LARGER THAN EXISTING MAIN TO BE TAPPED.
- USE STAINLESS STEEL ROMAC, FORD, OR MUELLER TAPPING SLEEVES FOR TAP SIZES 4" - 24".
- USE STAINLESS STEEL TAPPING SLEEVES BY DRESSER, CASCADE, AND JCM FOR TAPS ON MAINS 30" AND GREATER.
- ALL HARDWARE (BOLTS, NUTS, ETC) FOR ALL TAPPING SLEEVES SHALL BE 304 STAINLESS STEEL.
- DEPTH FROM GROUND SURFACE TO TOP OF BLOCKING SHALL BE GREATER THAN HEIGHT OF BLOCKING.



TAPPING SLEEVE & VALVE ASSEMBLY
 DETAIL WS-18

NOTES:

- TAPPING SADDLES ARE NOT ALLOWED WHEN CONNECTING MAIN DIAMETER IS 50% OR LARGER THAN EXISTING MAIN TO BE TAPPED.
- USE WIDE BAND BODY TAPPING SADDLES BY ACIPCO, US PIPE, OR EQUAL, PER BRUNSWICK COUNTY TECHNICAL SPECIFICATIONS.
- ALL HARDWARE (BOLTS, NUTS, ETC) FOR ALL TAPPING SADDLES SHALL BE 304 STAINLESS STEEL.
- DEPTH FROM GROUND SURFACE TO TOP OF BLOCKING SHALL BE GREATER THAN HEIGHT OF BLOCKING.



TAPPING SADDLES & VALVE ASSEMBLY
 DETAIL WS-19