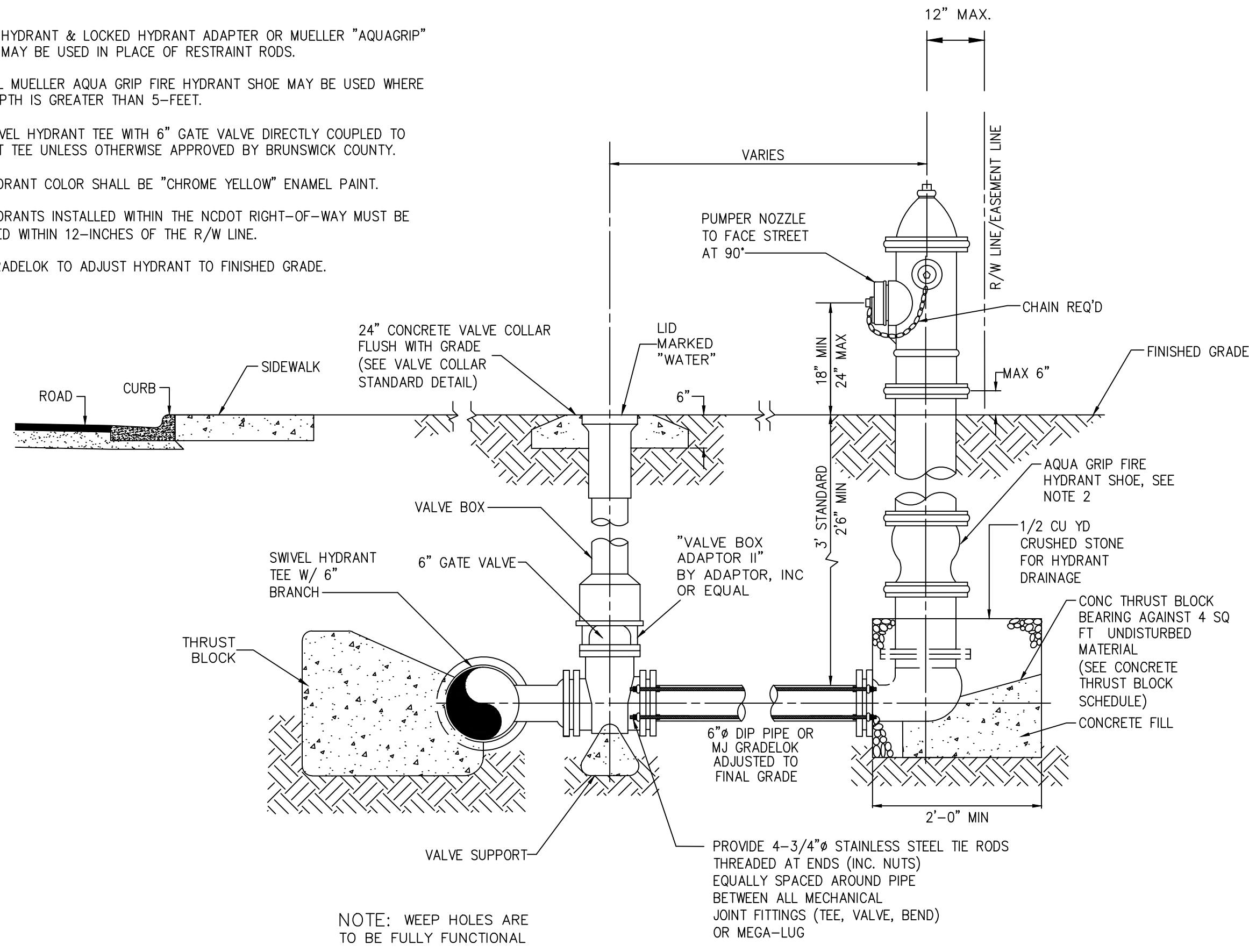


NOTES:

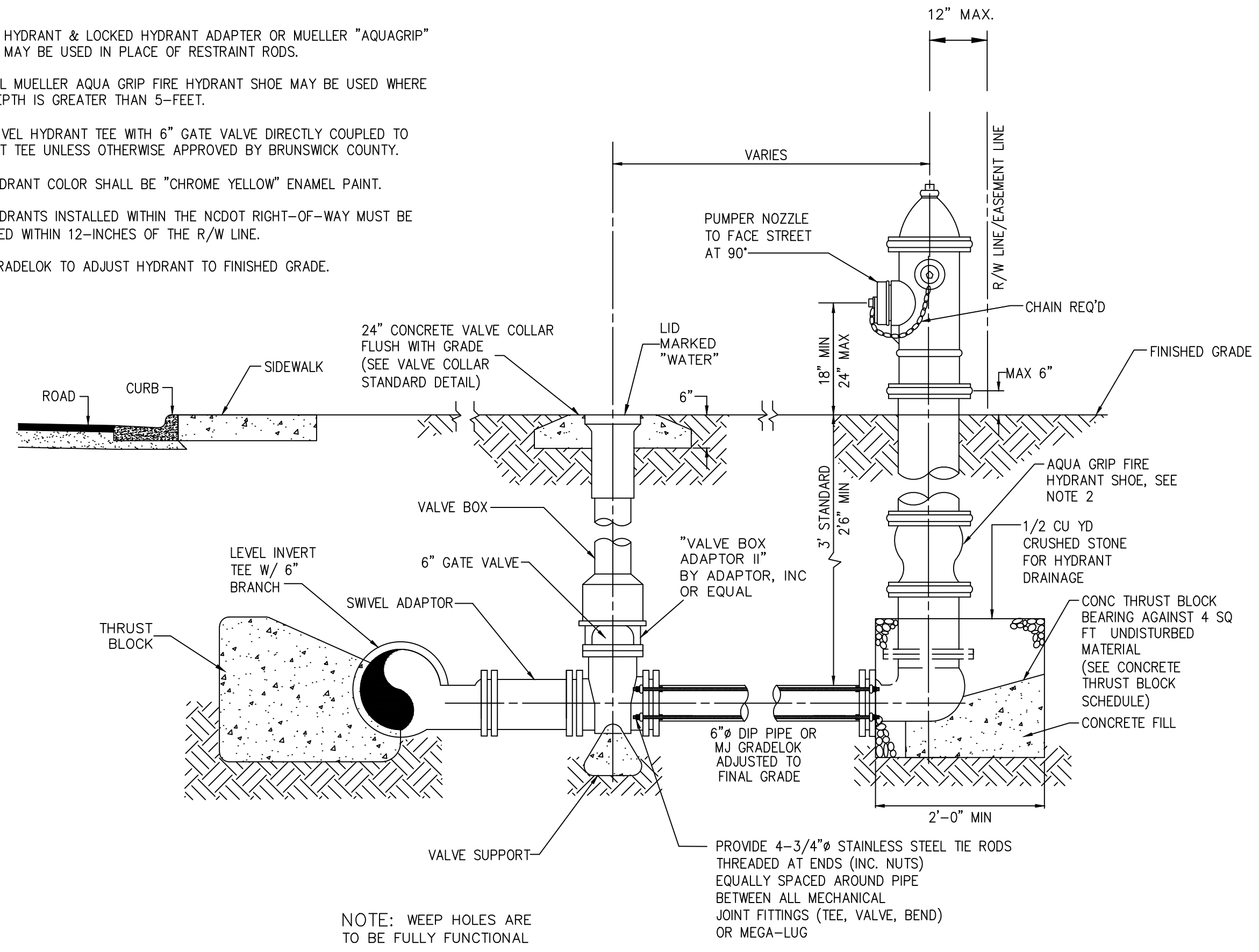
1. LOCKED HYDRANT & LOCKED HYDRANT ADAPTER OR MUELLER "AQUAGRIP" SYSTEM MAY BE USED IN PLACE OF RESTRAINT RODS.
2. VERTICAL MUELLER AQUA GRIP FIRE HYDRANT SHOE MAY BE USED WHERE MAIN DEPTH IS GREATER THAN 5-FEET.
3. USE SWIVEL HYDRANT TEE WITH 6" GATE VALVE DIRECTLY COUPLED TO HYDRANT TEE UNLESS OTHERWISE APPROVED BY BRUNSWICK COUNTY.
4. FIRE HYDRANT COLOR SHALL BE "CHROME YELLOW" ENAMEL PAINT.
5. FIRE HYDRANTS INSTALLED WITHIN THE NCDOT RIGHT-OF-WAY MUST BE INSTALLED WITHIN 12-INCHES OF THE R/W LINE.
6. USE GRADELOK TO ADJUST HYDRANT TO FINISHED GRADE.



FIRE HYDRANT ON MAINS 12" AND SMALLER  
DETAIL W-1

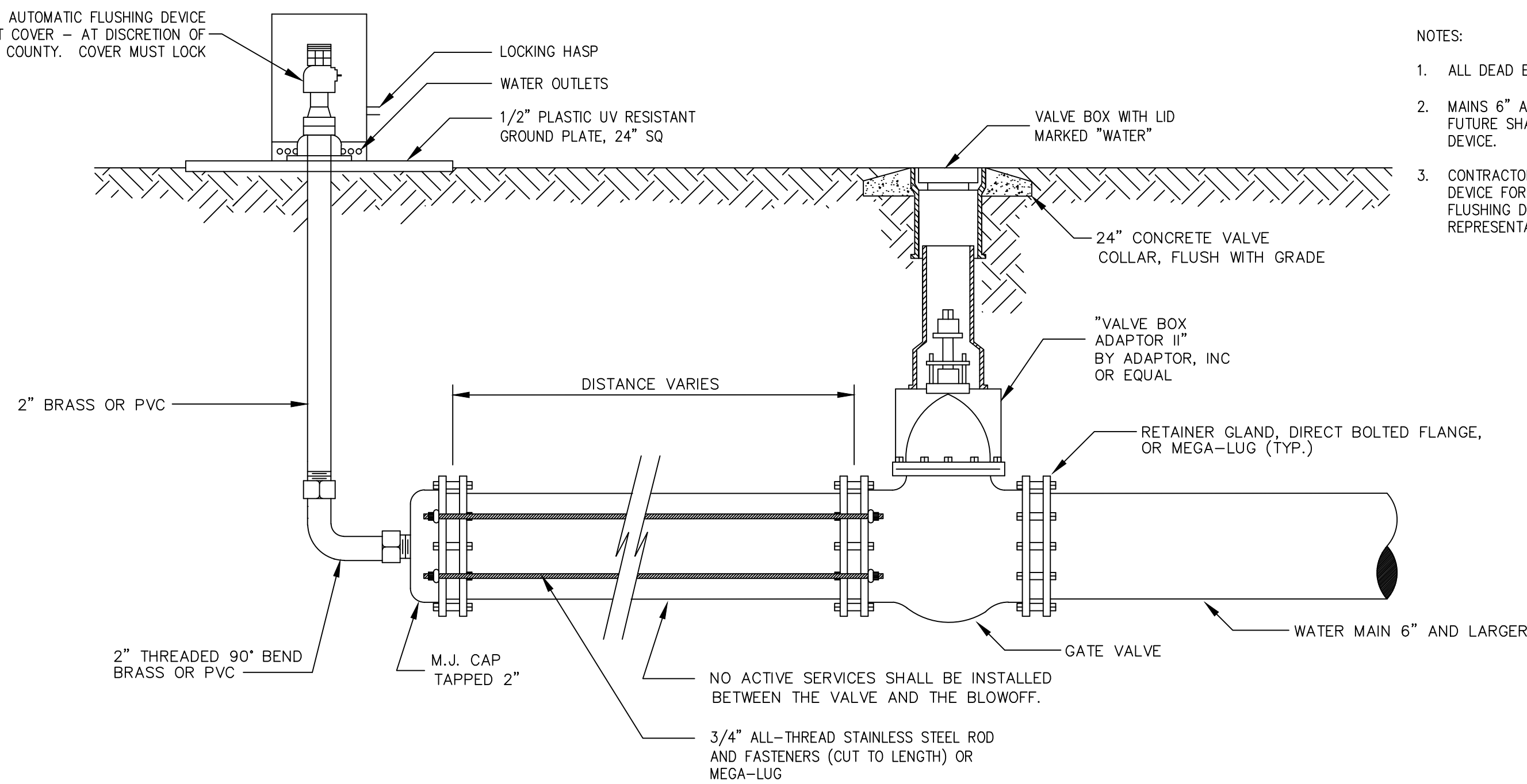
NOTES:

1. LOCKED HYDRANT & LOCKED HYDRANT ADAPTER OR MUELLER "AQUAGRIP" SYSTEM MAY BE USED IN PLACE OF RESTRAINT RODS.
2. VERTICAL MUELLER AQUA GRIP FIRE HYDRANT SHOE MAY BE USED WHERE MAIN DEPTH IS GREATER THAN 5-FEET.
3. USE SWIVEL HYDRANT TEE WITH 6" GATE VALVE DIRECTLY COUPLED TO HYDRANT TEE UNLESS OTHERWISE APPROVED BY BRUNSWICK COUNTY.
4. FIRE HYDRANT COLOR SHALL BE "CHROME YELLOW" ENAMEL PAINT.
5. FIRE HYDRANTS INSTALLED WITHIN THE NCDOT RIGHT-OF-WAY MUST BE INSTALLED WITHIN 12-INCHES OF THE R/W LINE.
6. USE GRADELOK TO ADJUST HYDRANT TO FINISHED GRADE.



FIRE HYDRANT ON MAINS LARGER THAN 12"  
DETAIL W-2

KUPFERLE 9400 ECLIPSE AUTOMATIC FLUSHING DEVICE WITH UV RESISTANT COVER - AT DISCRETION OF BRUNSWICK COUNTY. COVER MUST LOCK



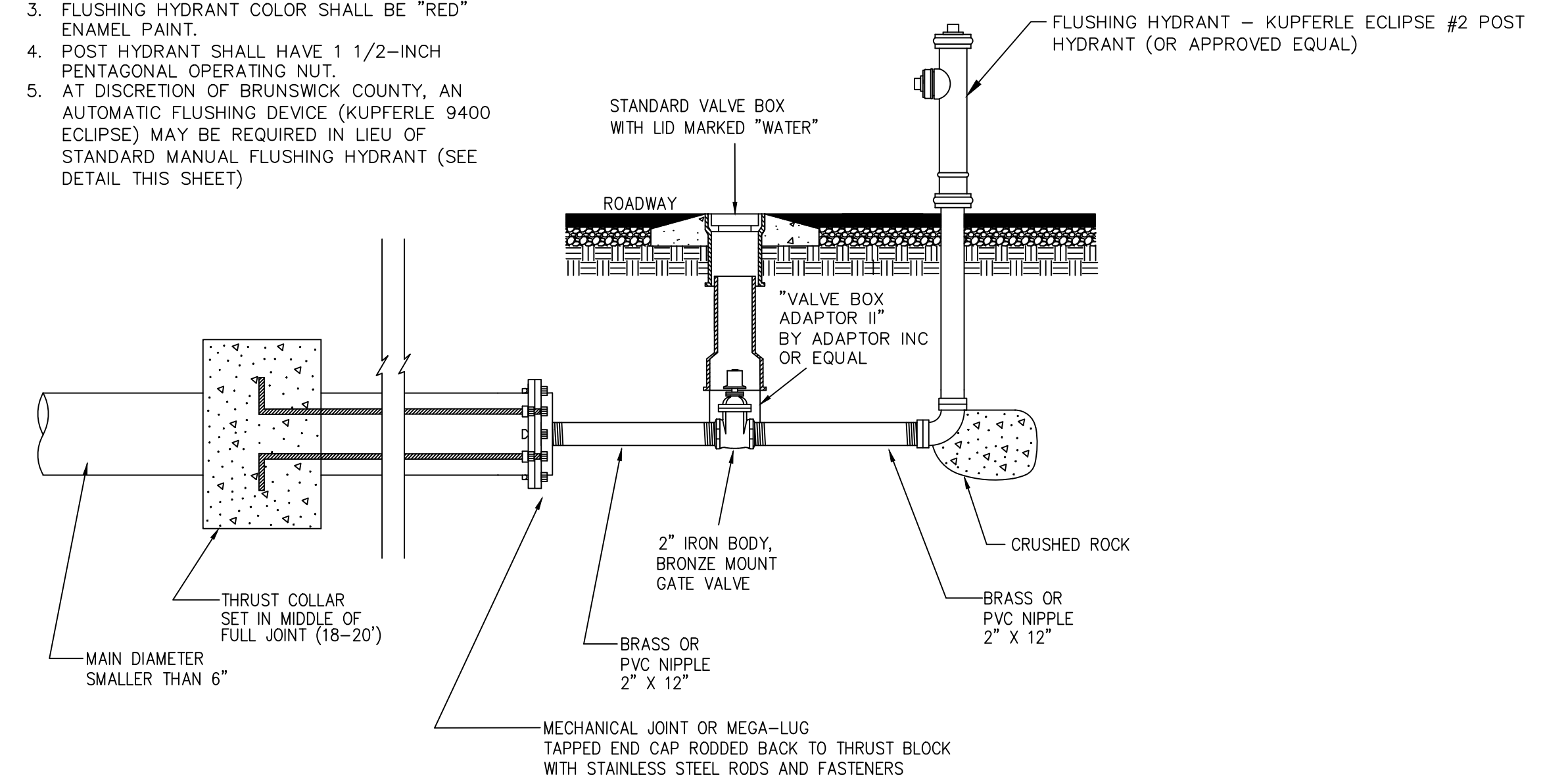
AUTOMATIC FLUSHING DEVICE FOR MAINS 6" AND LARGER (FOR MAINS TO BE EXTENDED LATER)  
DETAIL W-3

NOTES:

1. ALL DEAD END LINES WILL HAVE FLUSHING DEVICES.
2. MAINS 6" AND GREATER NOT BEING EXTENDED IN THE FUTURE SHALL USE A FIRE HYDRANT FOR A FLUSHING DEVICE.
3. CONTRACTOR SHALL REMOVE AUTOMATIC FLUSHING DEVICE FOR MAIN EXTENSIONS AND DELIVER AUTOMATIC FLUSHING DEVICE TO BRUNSWICK COUNTY REPRESENTATIVE.

NOTES:

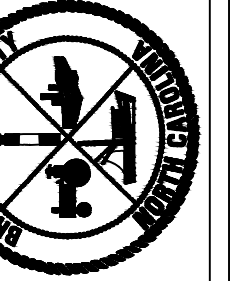
1. ALL DEAD END LINES WILL HAVE FLUSHING DEVICES.
2. MAINS 6" AND LARGER SHALL USE A FIRE HYDRANT FOR A FLUSHING DEVICE.
3. FLUSHING HYDRANT COLOR SHALL BE "RED" ENAMEL PAINT.
4. POST HYDRANT SHALL HAVE 1 1/2-INCH PENTAGONAL OPERATING NUT.
5. AT DISCRETION OF BRUNSWICK COUNTY, AN AUTOMATIC FLUSHING DEVICE (KUPFERLE 9400 ECLIPSE) MAY BE REQUIRED IN LIEU OF STANDARD MANUAL FLUSHING HYDRANT (SEE DETAIL THIS SHEET)



STANDARD FLUSHING DEVICE FOR MAINS LESS THAN 6"  
DETAIL W-4

Revisions	
1.1 - DATED 4/30/2013	Modified W-2 and W-3
1.2 - DATED 5/29/2013	Added Note 5 to W-1
1.3 - DATED 7/15/2015	Mod. W-1, W-3, & W-4
1.4 - DATED 12/8/2016	Mod. W-1, W-2, W-3, W-4 and Revise Detail Numbers

COUNTY OF BRUNSWICK



GENERAL WATER DETAILS FOR  
BRUNSWICK COUNTY  
NORTH CAROLINA

Date: 05-22-12  
Scale: NTS  
Drawn By: JDM  
Checked By: WLP