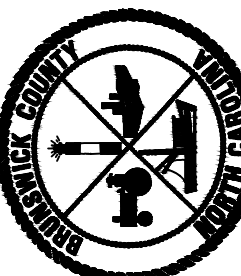


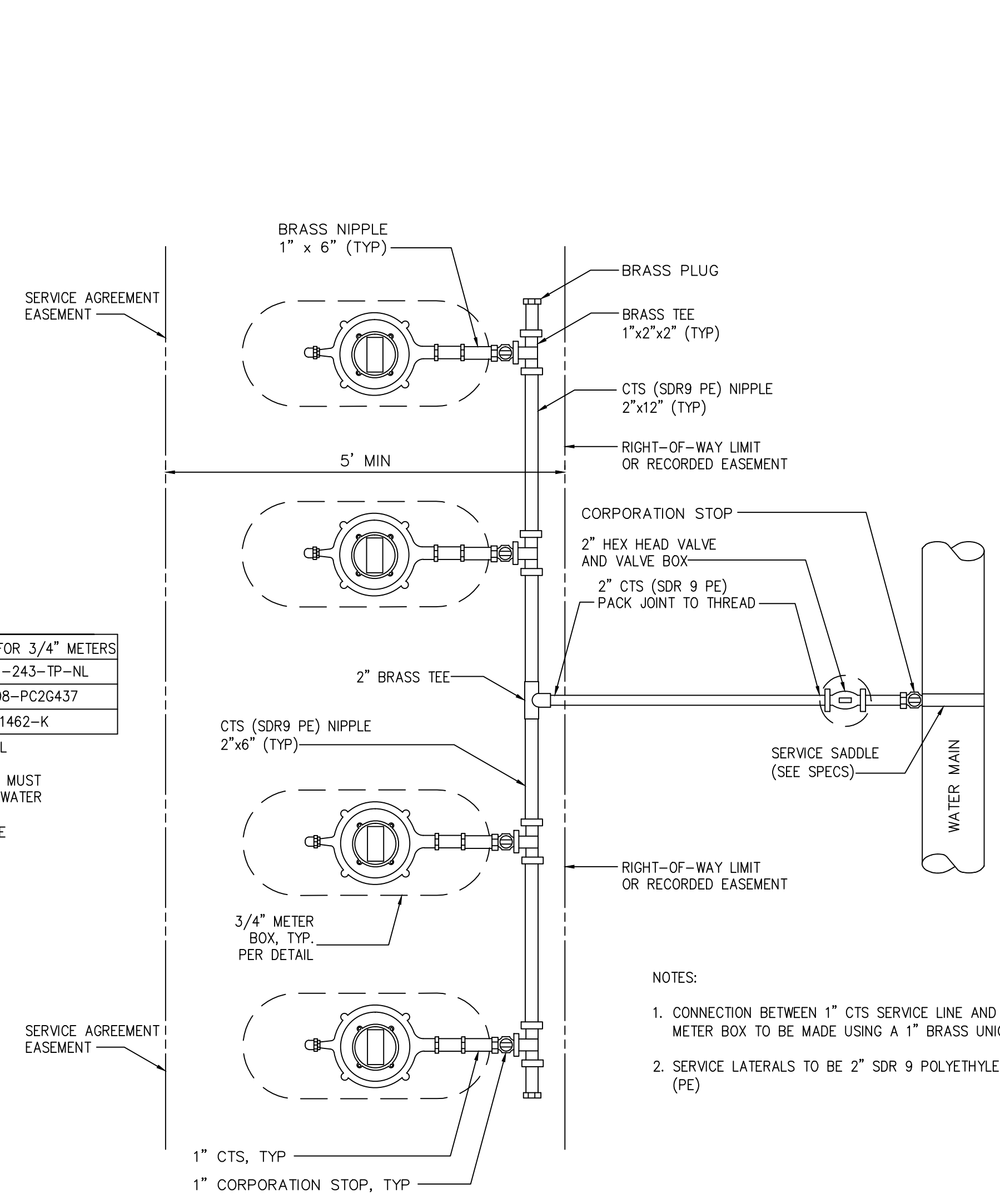
| Revisions | |
|------------------------|---------------------------------------|
| 1.1 - DATED 3/7/2013 | Modified double meter box |
| 1.2 - DATED 4/5/2013 | Corrected meter box #'s |
| 1.3 - DATED 7/15/2015 | Updated meter box #'s |
| 1.4 - DATED 10/27/2015 | Modified W-7 |
| 1.5 - DATED 12/8/2016 | Revise Detail Numbers |
| 1.6 - DATED 3/6/2017 | Revise Detail W-6 |
| 1.7 - DATED 3/22/2017 | Revise Detail W-6 |
| 1.8 - DATED 10/29/2018 | Updated acceptable double meter boxes |

COUNTY OF BRUNSWICK



GENERAL WATER DETAILS FOR
BRUNSWICK COUNTY
 NORTH CAROLINA

Date: 05-23-12
 Scale: NTS
 Drawn By: JDM
 Checked By: WLP

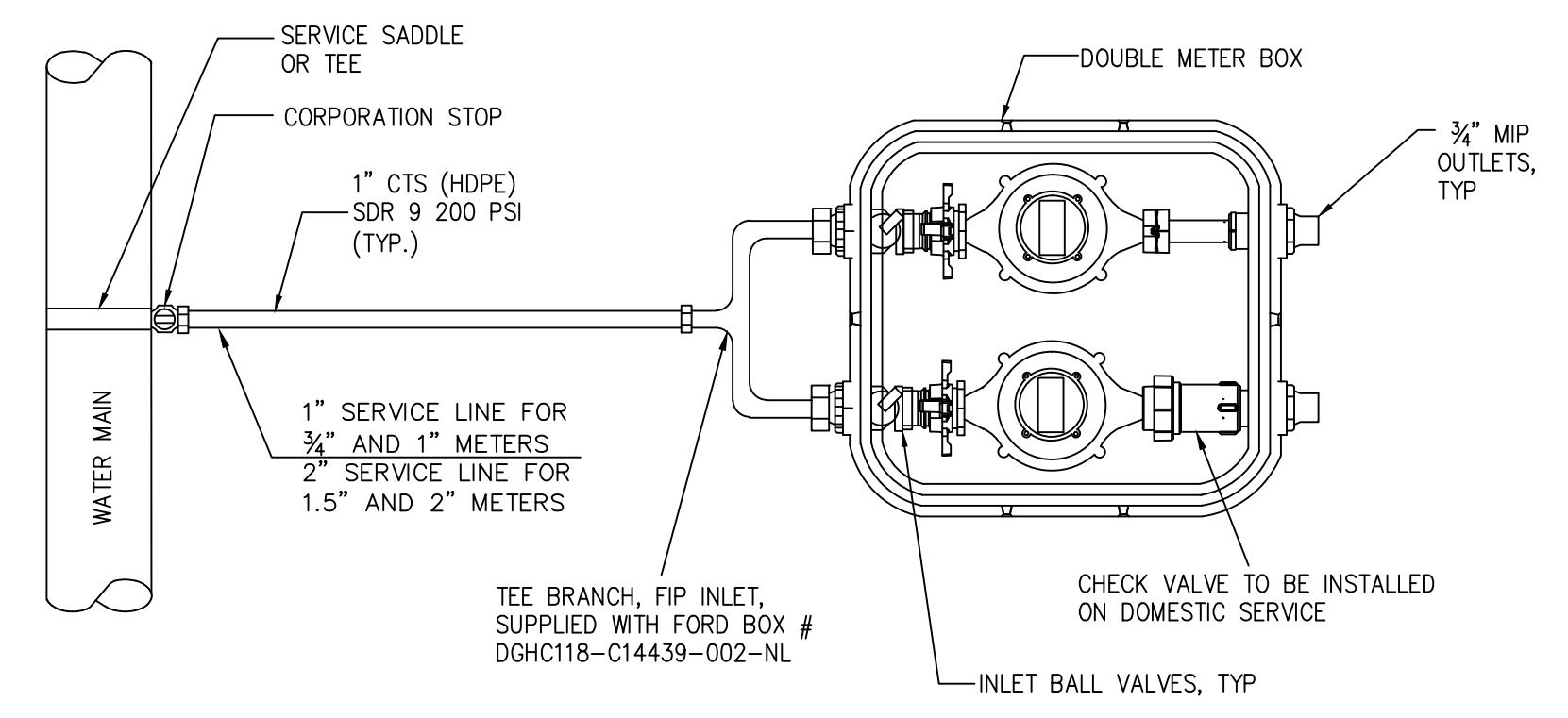


STANDARD GANG METER ASSEMBLY
 DETAIL W-5

| APPROVED SINGLE METER BOXES FOR 3/4" METERS | |
|---|--------------------|
| FORD | LYLV-141-243-TP-NL |
| McDONALD | 776-208-PC2G437 |
| MUELLER | H-1462-K |

- * OR APPROVED EQUAL
- 1. OR APPROVED EQUAL - MUST ACCOMMODATE SENSUS WATER METER WITH AMR/AMI
- 2. LID TO BE LOCKING TYPE

- NOTES:
1. CONNECTION BETWEEN 1" CTS SERVICE LINE AND METER BOX TO BE MADE USING A 1" BRASS UNION.
 2. SERVICE LATERALS TO BE 2" SDR 9 POLYETHYLENE (PE)



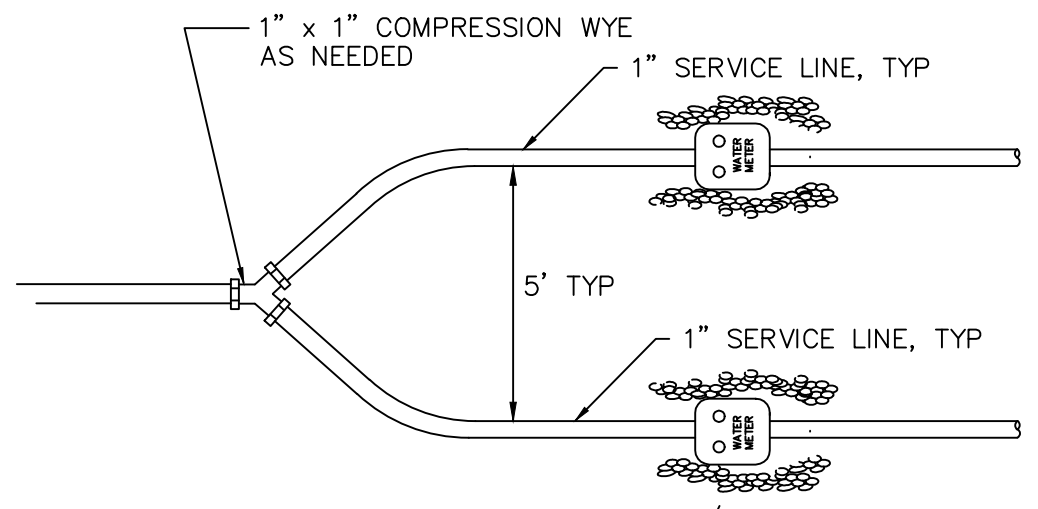
- NOTES:
1. CONNECTION BETWEEN 1" CTS SERVICE LINE AND YOKE BOX TO BE MADE USING A 1" BRASS UNION.
 2. ALL WATER SERVICE LATERALS SHALL HAVE A TRACER WIRE INSTALLED PER BRUNSWICK COUNTY WATER DISTRIBUTION TECHNICAL SPECIFICATIONS.

PLAN VIEW FOR WATER/IRRIGATION SPLIT SERVICE
 (WATER/IRRIGATION SERVICES INSTALLED CONCURRENTLY)

**NOTE:
 BACKFLOW PROTECTION DEVICE IS REQUIRED ON ALL IRRIGATION WATER METERS AND ON ALL COMMERCIAL/INDUSTRIAL WATER METERS

| ACCEPTABLE DOUBLE METER BOXES | |
|-------------------------------|-----------------------|
| FORD | DGHC118-C14439-002-NL |
| MCDONALD | 773N208BCGP 434TCX001 |

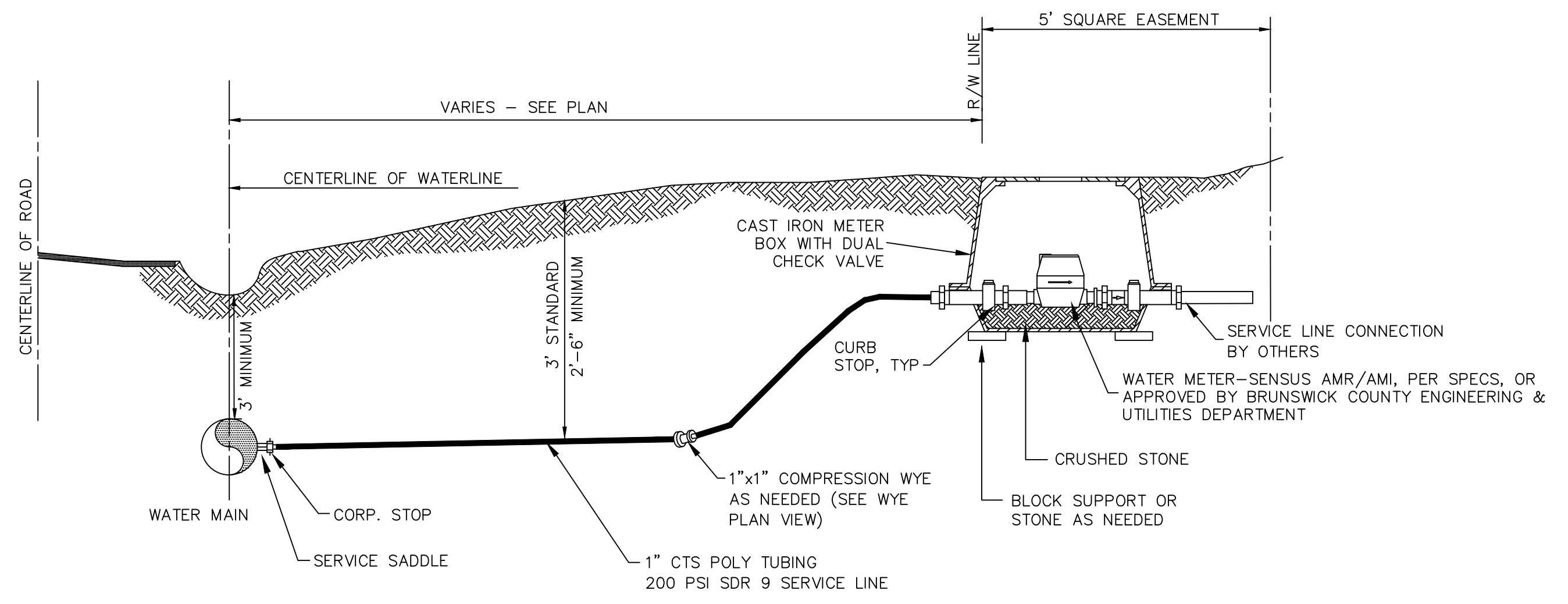
- * OR APPROVED EQUAL
- 1. OR APPROVED EQUAL - MUST ACCOMMODATE TWO (2) SENSUS WATER METERS WITH AMR/AMI
- 2. LID TO BE LOCKING TYPE
- 3. DOUBLE METER BOX IS FOR (2) 3/4" METERS ONLY



WYE PLAN VIEW FOR WATER/IRRIGATION SPLIT SERVICE
 (IRRIGATION SERVICE INSTALLED AFTER MAIN METER)

| APPROVED SINGLE METER BOXES FOR 3/4" METERS | |
|---|--------------------|
| FORD | LYLV-141-243-TP-NL |
| McDONALD | 776-208-PC2G437 |
| MUELLER | H-1462-K |

- * OR APPROVED EQUAL
- 1. OR APPROVED EQUAL - MUST ACCOMMODATE SENSUS WATER METER WITH AMR/AMI
- 2. LID TO BE LOCKING TYPE



- NOTE:
- 1) CONTRACTOR SHALL PLACE METER BOX IN NON-TRAFFIC AREA AT LOCATION SPECIFIED BY BRUNSWICK COUNTY ENGINEERING DEPARTMENT.
 - 2) METER BOXES SHALL BE CAST IRON WITH DUAL CHECK VALVES.
 - 3) 1-1/2" AND 2" METERS WILL REQUIRE 2" CTS POLY TUBING.
 - 4) 1, 1-1/2" AND 2" METERS WILL REQUIRE A METER BOX SIZED ADEQUATELY TO HOUSE A 1, 1-1/2" OR 2" SENSUS METER, HORIZONTAL BYPASS SETTER, AND MXU. ALL REQUIRED ITEMS TO BE PROVIDED BY INSTALLER.
 - 5) 1, 1-1/2" AND 2" METER BOXES SHALL BE MARKED WATER AND HAVE A HOLE FOR INSTALLATION OF THE MXU AND TOUCH PAD TO BE PROVIDED BY INSTALLER.
 - 6) NO PLASTIC BOXES FOR 1 1/2" AND 2" METERS. BOX MUST BE DUCTILE IRON OR QUAZITE.
 - 7) ALL WATER SERVICE LATERALS SHALL HAVE A TRACER WIRE INSTALLED PER BRUNSWICK COUNTY WATER DISTRIBUTION TECHNICAL SPECIFICATIONS.

3/4" - 2" STANDARD WATER TAP
 INSTALLATION
 DETAIL W-6

(FOR METERS LARGER THAN 2", REFER TO DETAIL ON PAGE 3 OF 5)