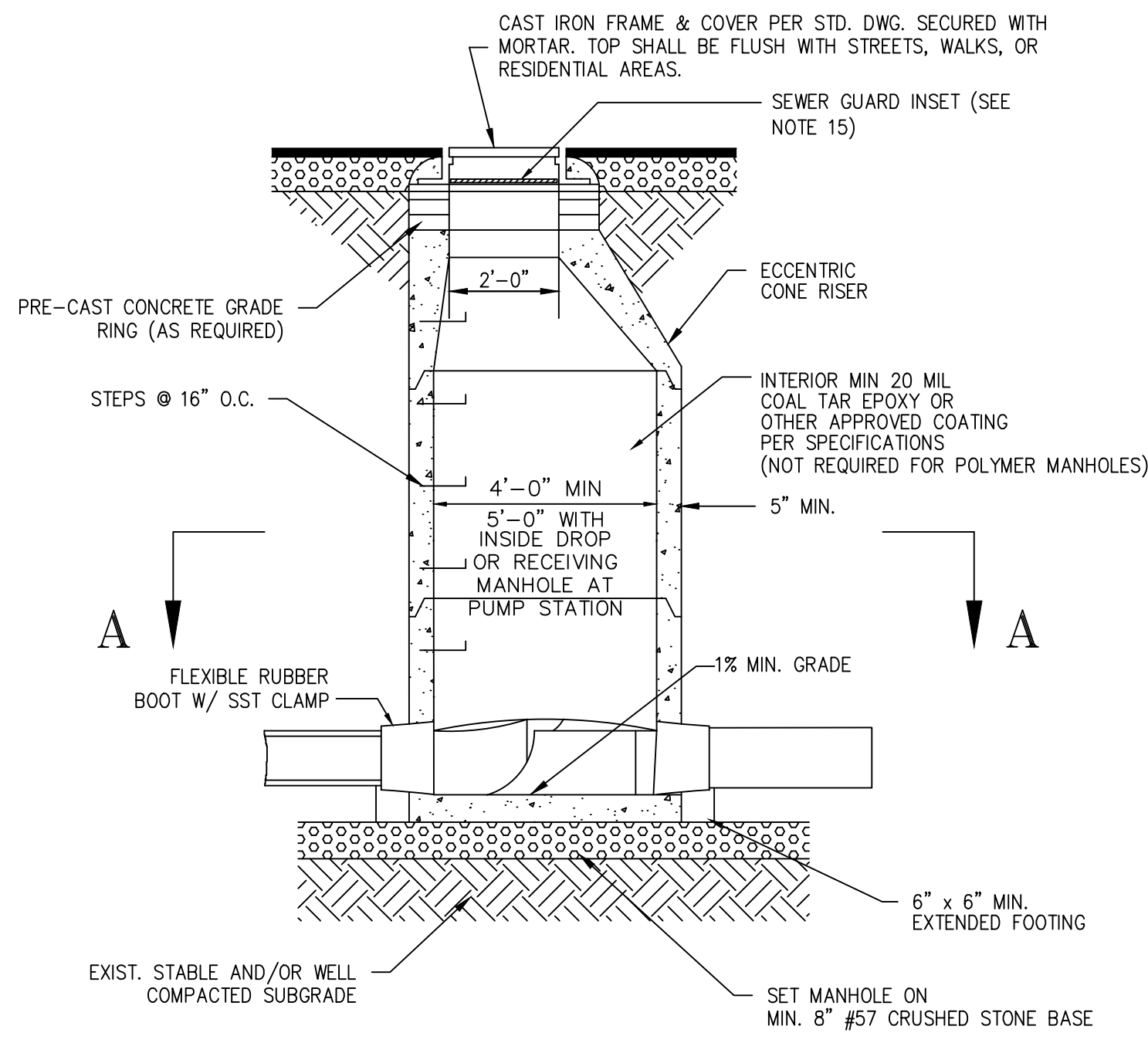
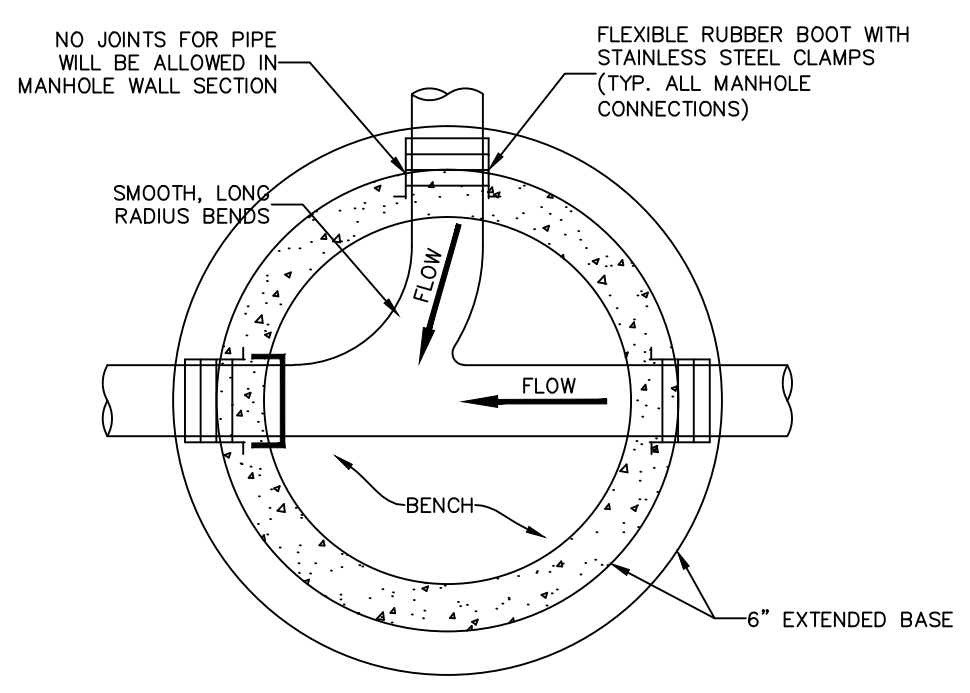


**NOTES:**

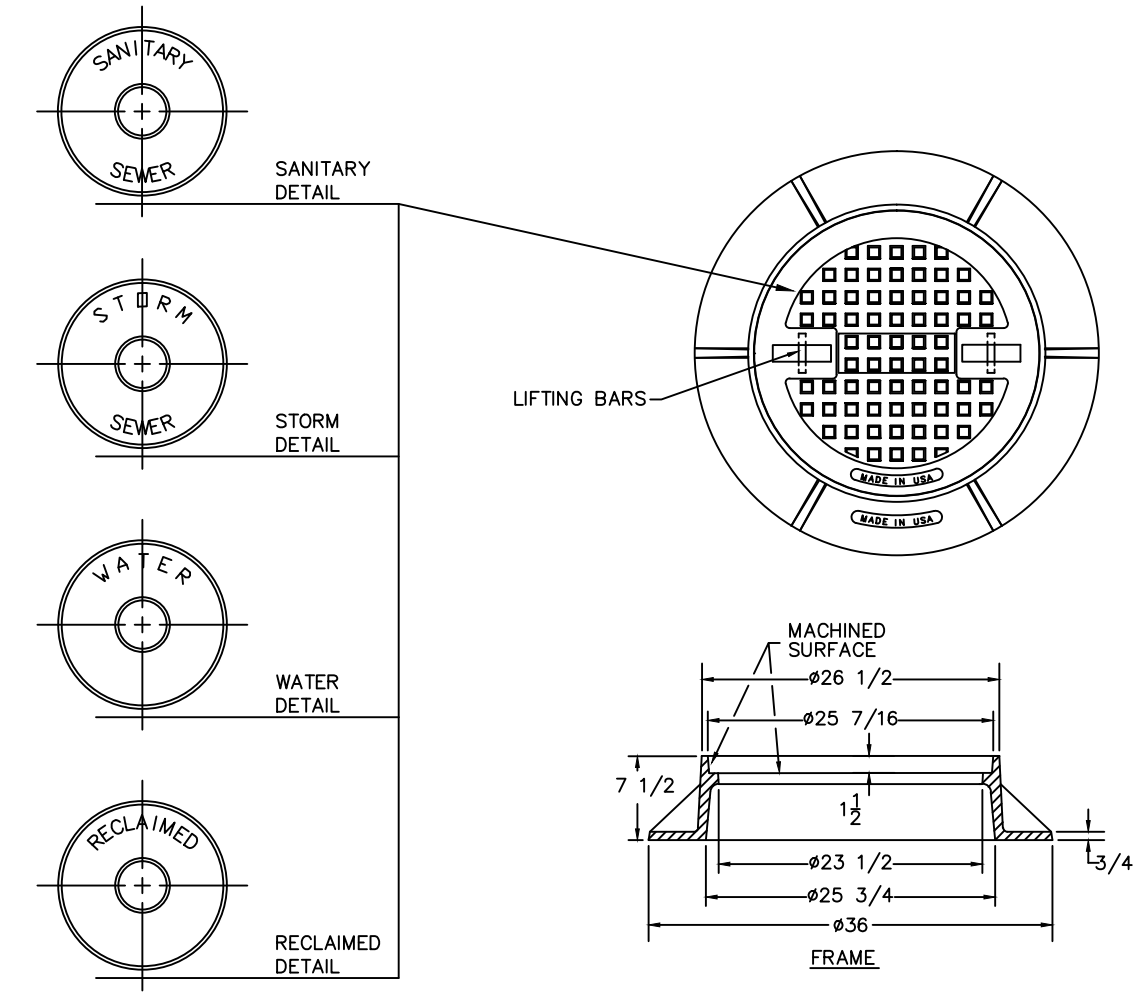
1. PRECAST CONCRETE MANHOLES SHALL MEET OR EXCEED THE REQUIREMENTS OF ASTM C 478. ALL SURFACES SHALL BE SMOOTH AND EVEN TEXTURED WITH A MINIMUM OF HONEYCOMB, FIN, AND OTHER IMPERFECTIONS.
2. JOINTS BETWEEN MANHOLE SECTIONS SHALL BE SEALED WATERTIGHT USING EITHER O-RING GASKETS CONFORMING WITH ASTM C 443 OR BUTYL RESIN CONFORMING WITH AASHTO M-198.
3. EXTERIOR JOINTS SHALL BE SEALED WITH A 4" WIDE BUTYL RUBBER WRAP.
4. ADD INTERIOR HIGH SOLIDS EPOXY PROTECTION COATING FOR EXISTING MANHOLES RECEIVING DISCHARGE FROM FORCE MAINS PER BRUNSWICK COUNTY TECHNICAL SPECIFICATIONS (MIN. 20 MILS). HOLES FOR CONNECTION OF PIPE TO MANHOLE SHALL BE PRECAST OR CORED. DIAMETER OF HOLE SHALL NOT EXCEED OUTSIDE DIAMETER OF PIPE BY MORE THAN 3 INCHES.
5. CONNECTIONS OF PIPE TO MANHOLE SHALL BE MADE WATERTIGHT USING RESILIENT CONNECTORS CONFORMING TO ASTM C 923 OR NEOPRENE BOOTS EMBEDDED IN PRECAST BASE WITH STAINLESS STEEL COMPRESSION BANDS.
6. MANHOLE INVERTS SHALL BE INSTALLED USING BRICK AND MORTAR, OR MANHOLES MAY BE PRECAST, MONOLITHIC SECTIONS WITH FORMED INVERTS.
7. LIFT HOLES SHALL BE PLUGGED AND FILLED FLUSH WITH MORTAR.
8. ALL BRICK AND MORTAR SHALL RECEIVE A 1/2" MORTAR PARGE COAT ON INSIDE AND OUTSIDE.
9. ALL SPACE BETWEEN PIPE AND OPENING INSIDE OF MANHOLE TO BE GROUTED WITH TYPE S MORTAR.
10. SEWER MAIN PENETRATIONS AND/OR SERVICE LATERAL PENETRATIONS ENTERING AT 30" OR LESS ABOVE THE MANHOLE BENCH SHALL HAVE A SLIDE CONSTRUCTED OF BRICK AND MORTAR.(SEE DETAIL)
11. ALL PENETRATIONS ENTERING MANHOLE AT GREATER THAN 30" SHALL BE AN INSIDE DROP MANHOLE (SEE DETAIL).
12. INSIDE DROP MANHOLES, AND PUMP STATION RECEIVING MANHOLES SHALL BE MINIMUM 5' DIAMETER MANHOLES.
13. SANITARY SEWER MANHOLES SHALL BE COATED WITH COAL TAR EPOXY 20 MILS THROUGHOUT THE INSIDE OF THE MANHOLE.
14. ALL MANHOLES SHALL HAVE A SEWER GUARD INSERT INSTALLED - PLASTIC IS ALLOWED IN NON-TRAFFIC AREAS - STAINLESS STEEL INSERT PANS ARE REQUIRED IN TRAFFIC AREAS.
15. MANHOLES SHALL BE TRAFFIC BEARING WITH A MINIMUM HS-20 LOAD ALLOWANCE.
16. FOR NEW SEWER FORCE MAINS CONNECTING TO AN EXISTING COUNTY GRAVITY SYSTEM THAT REQUIRES THE CUT IN OF A NEW MANHOLE:  
THE NEW SEWER MANHOLE SHALL BE PRECAST POLYMER CONFORMING TO ASTM C478 AS MANUFACTURED BY ARMOROCK, MEYER POLYCRETE OR APPROVED EQUAL. RISER SECTION JOINTS SHALL BE BELL AND SPIGOT /SHIP-LAP DESIGN SEALED WITH BUTYL MASTIC AND/OR RUBBER GASKETS (ASTM C990) SO THAT ON ASSEMBLY THE MANHOLE BASE, RISER(S) AND TOP SECTIONS MAKE A CONTINUOUS AND UNIFORM MANHOLE STRUCTURE. A CARBON FILTER MUST BE PROVIDED ON ANY MANHOLE THAT HAS A FORCE MAIN SEWER SYSTEM CONNECTION.



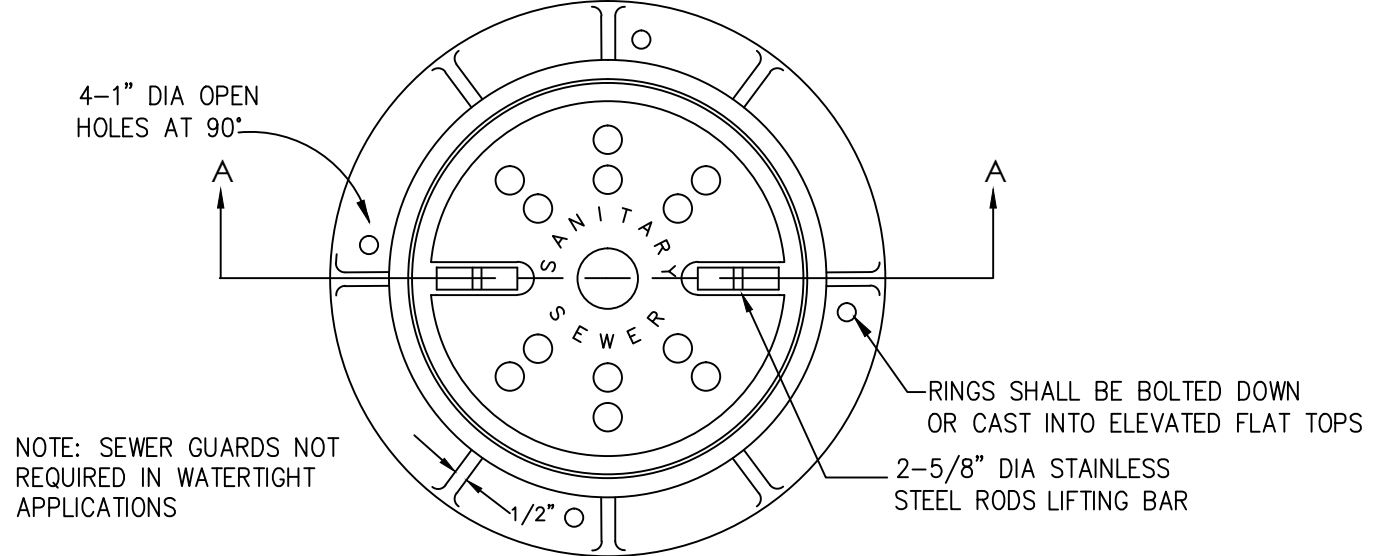
**PRECAST CONCRETE MANHOLE  
DETAIL S-1**



**SECTION A-A**

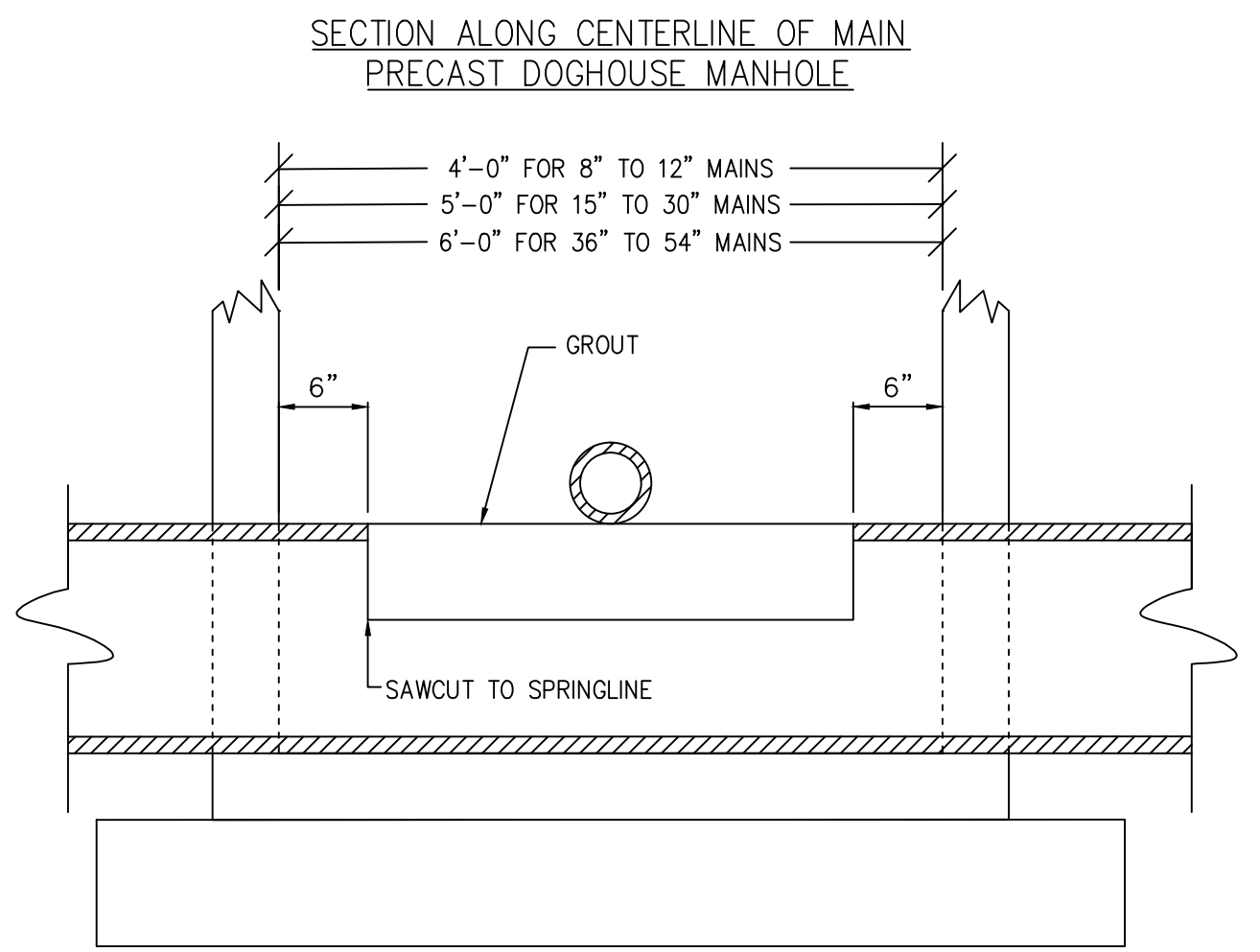


**STANDARD MANHOLE RING AND COVER  
DETAIL S-2**

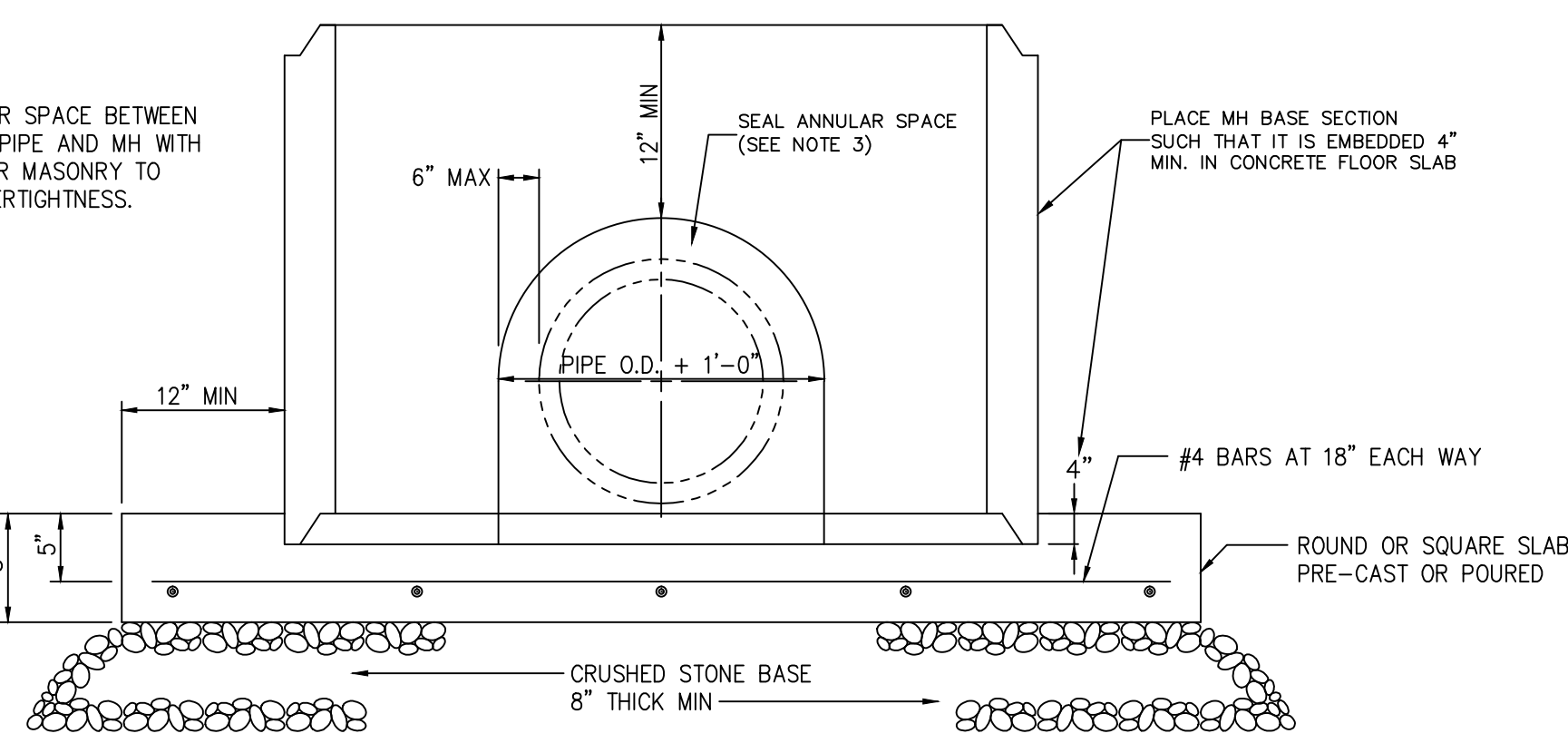


**WATERTIGHT MANHOLE RING AND COVER  
DETAIL S-3**

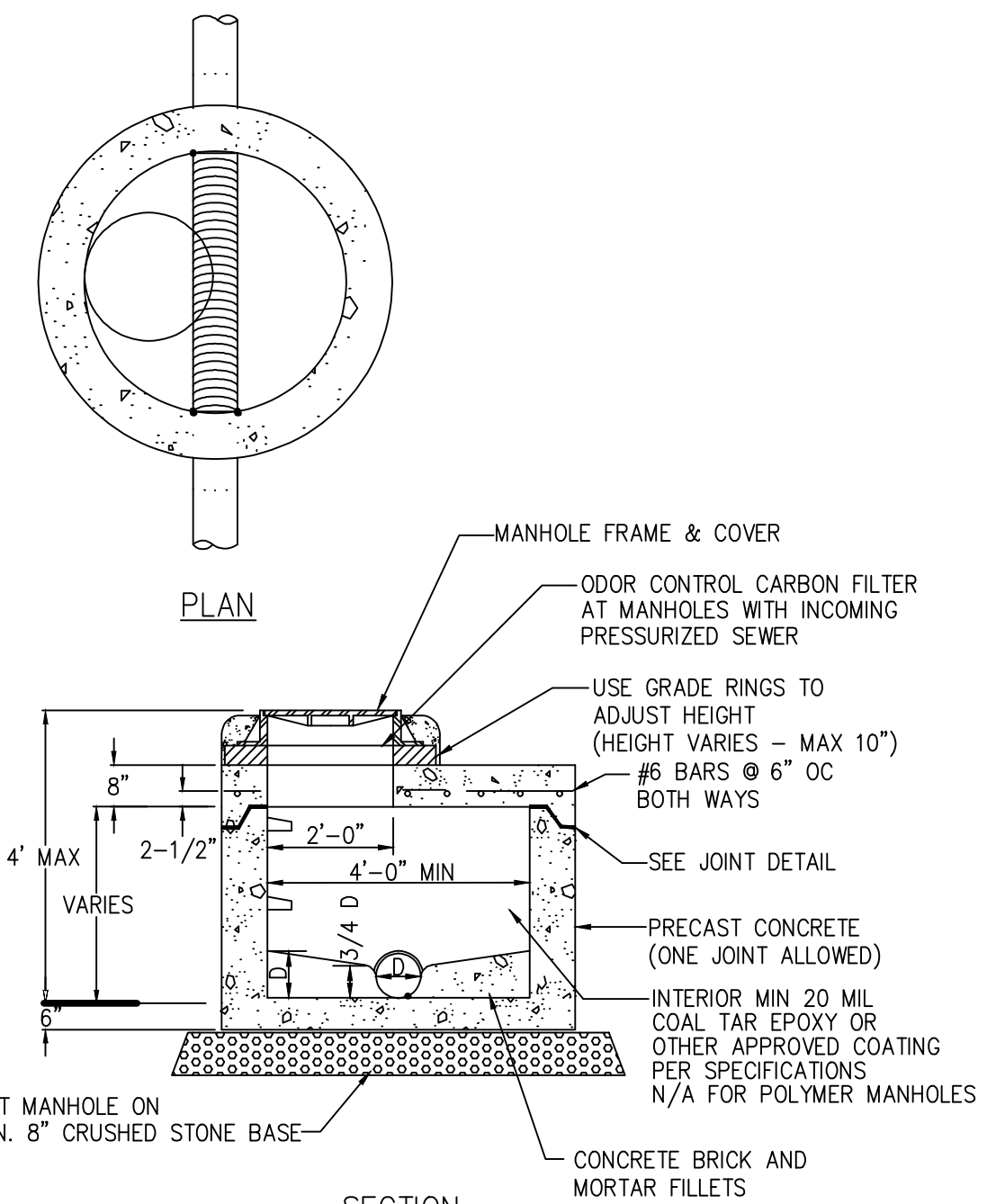
MANUFACTURER	MODEL NUMBER
US FOUNDRY	725 RING / DP-SSG COVER
US FOUNDRY	710 RING / DP-SSG COVER
CAPITAL FOUNDRY	MH-3000-WT
EAST JORDAN IRON WORKS	202701 RING / 202722 COVER



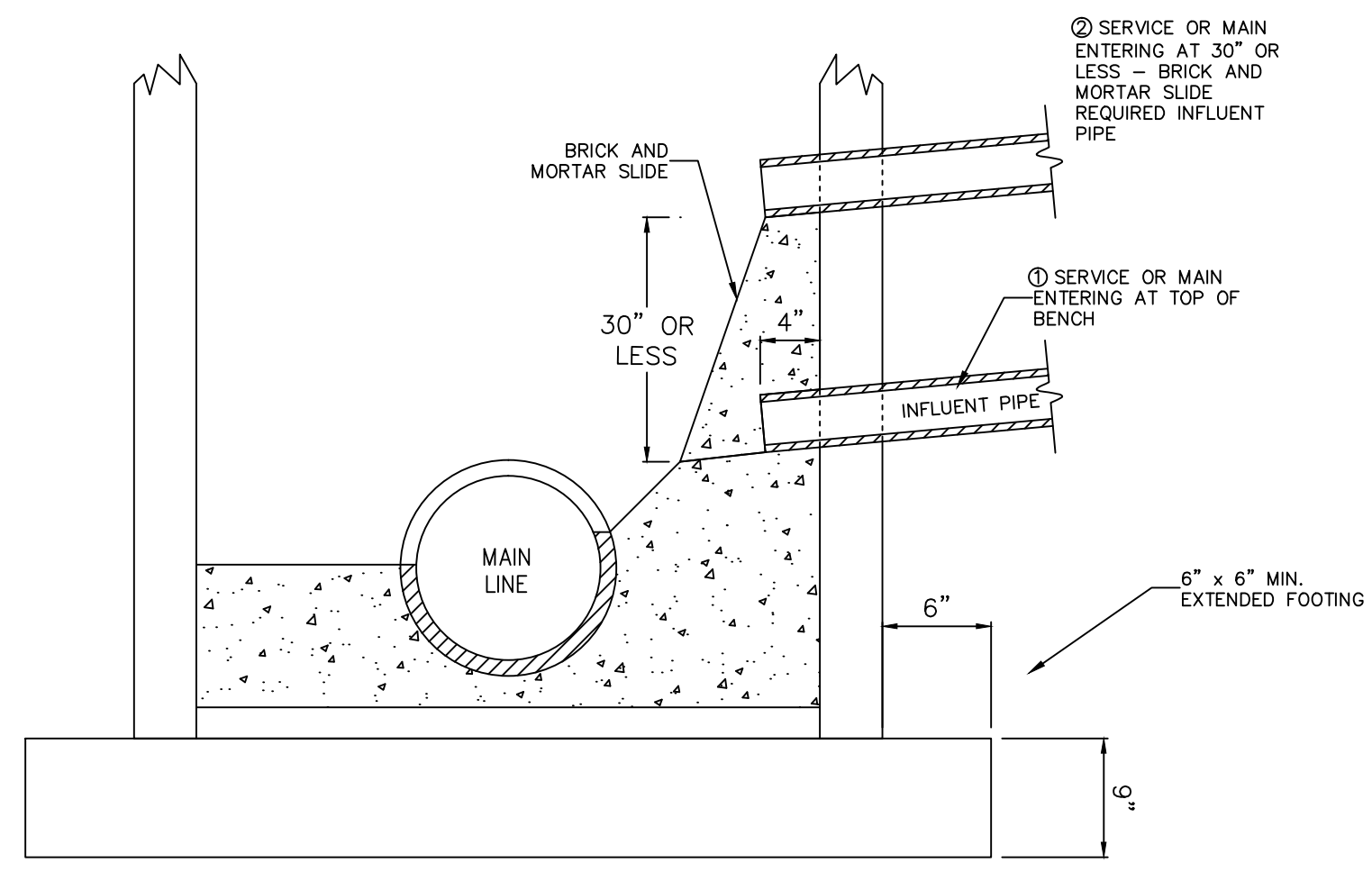
NOTE: FILL ANNULAR SPACE BETWEEN OUTSIDE OF PIPE AND MH WITH CONCRETE OR MASONRY TO INSURE WATERTIGHTNESS.



**PRECAST CONCRETE DOGHOUSE MANHOLE  
DETAIL S-4**



**SHALLOW PRECAST CONCRETE  
MANHOLE WITH FLAT TOP  
DETAIL S-5**

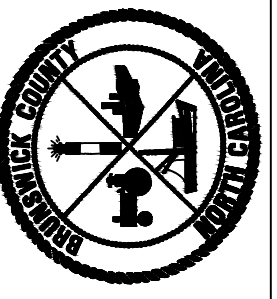


**CROSS SECTION AT EXISTING MANHOLE  
MAINS OR SERVICES ENTERING MANHOLE  
DETAIL S-6**

Revisions

1.1 - DATED 4/30/2013	Mod S-4, S-6, Rem. S-4A
1.2 - DATED 1/23/2019	Mod NOTES, S-1, S-4, S-5

COUNTY OF BRUNSWICK



GENERAL SEWER DETAILS  
FOR  
**BRUNSWICK COUNTY**  
NORTH CAROLINA

Date: 06-14-12  
Scale: NTS  
Drawn By: JDM  
Checked By: WLP